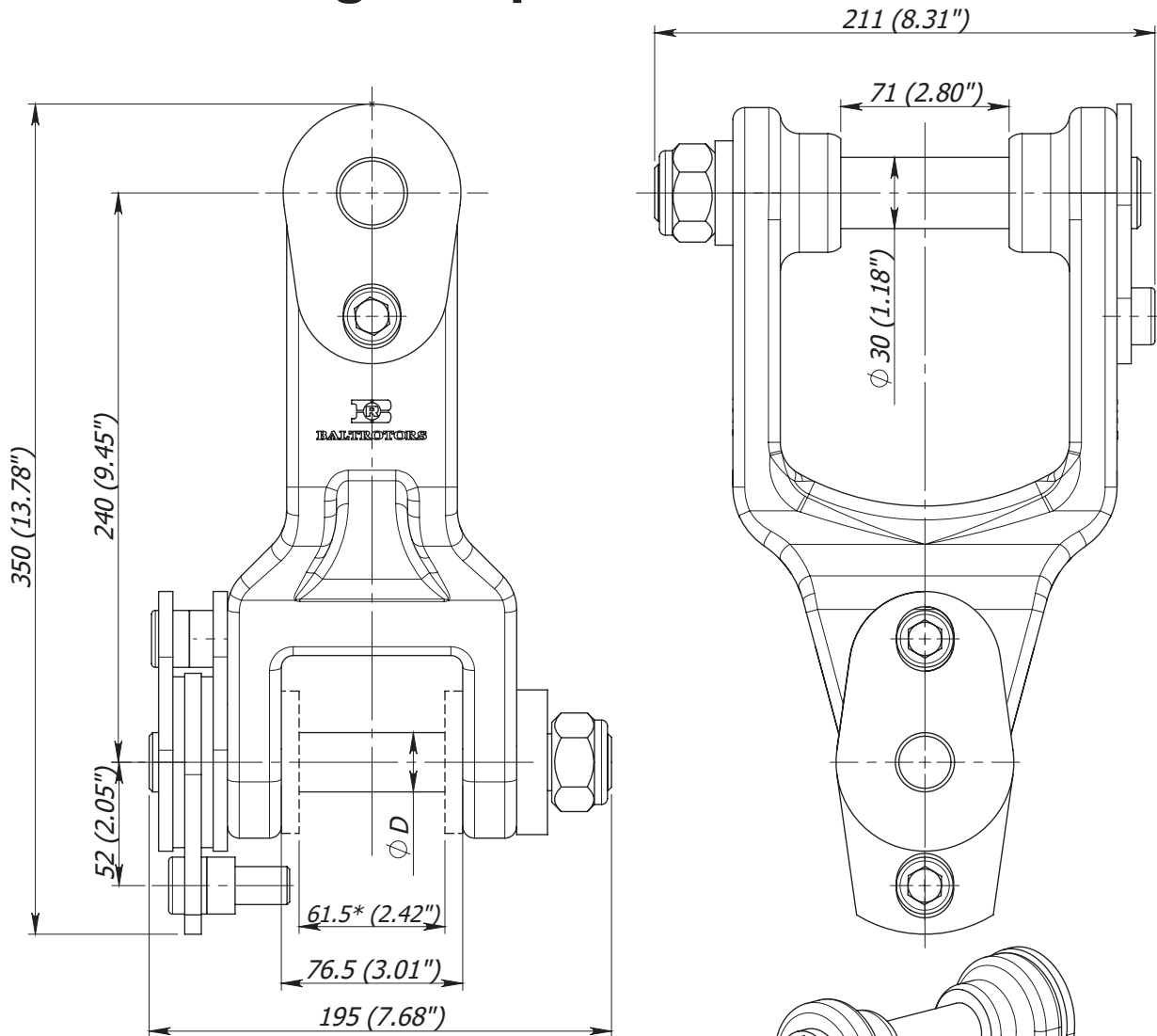


Swing damper BR40 / BR40-A



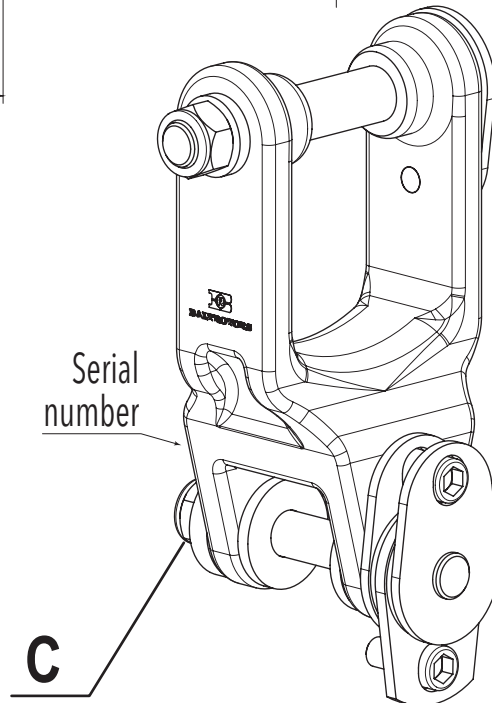
* Only by request for rotator GR 30

| Link | Pin diameter D (mm) |
|---------|---------------------|
| BR 40 | 25 (0.98") |
| BR 40-A | 30 (1.18") |

Max. Load - 5.5 ton (55 kN) (12364 lbf)

Weight - 12.6±0.5 kg (27.8±1.1 lb)

Pin locking nut (C) has to be tightened with a torque of 60-160 Nm (45-120 lb ft) dependent on desired brake power.



13.07.2017