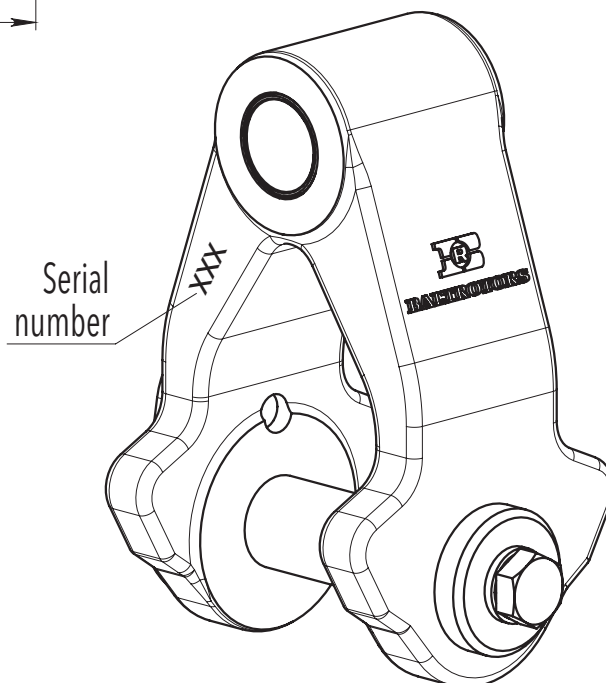
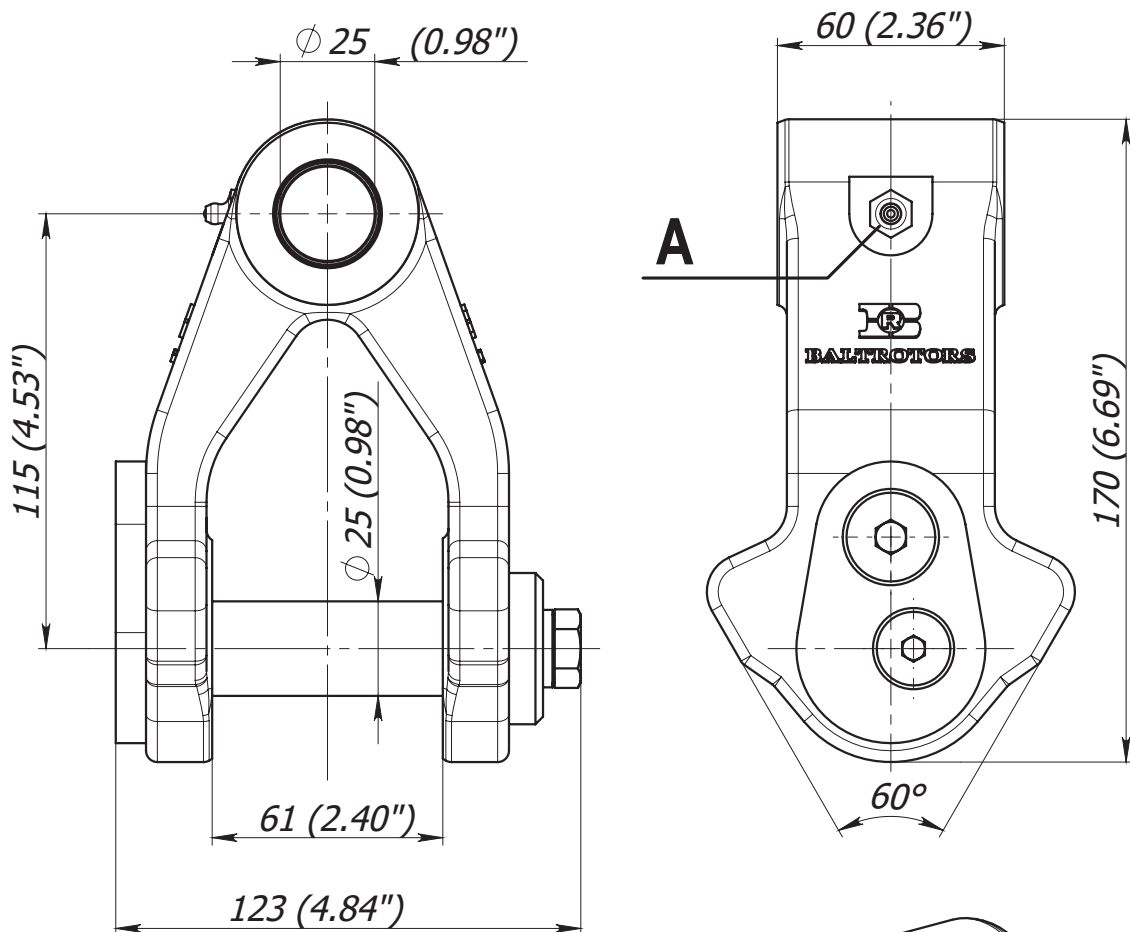


LINK BRM1-60-01



Max. Load - 3 ton (30 kN) (6744 lbf)

Weight - 3.7 kg (8.3 lb)

Fill grease Statoil Uniway Li62 (or equivalent) through lubricating nipple (A), until it will appear to the external surfaces. Greasing must be repeated after every 8 working hours of the link.

13.07.2017